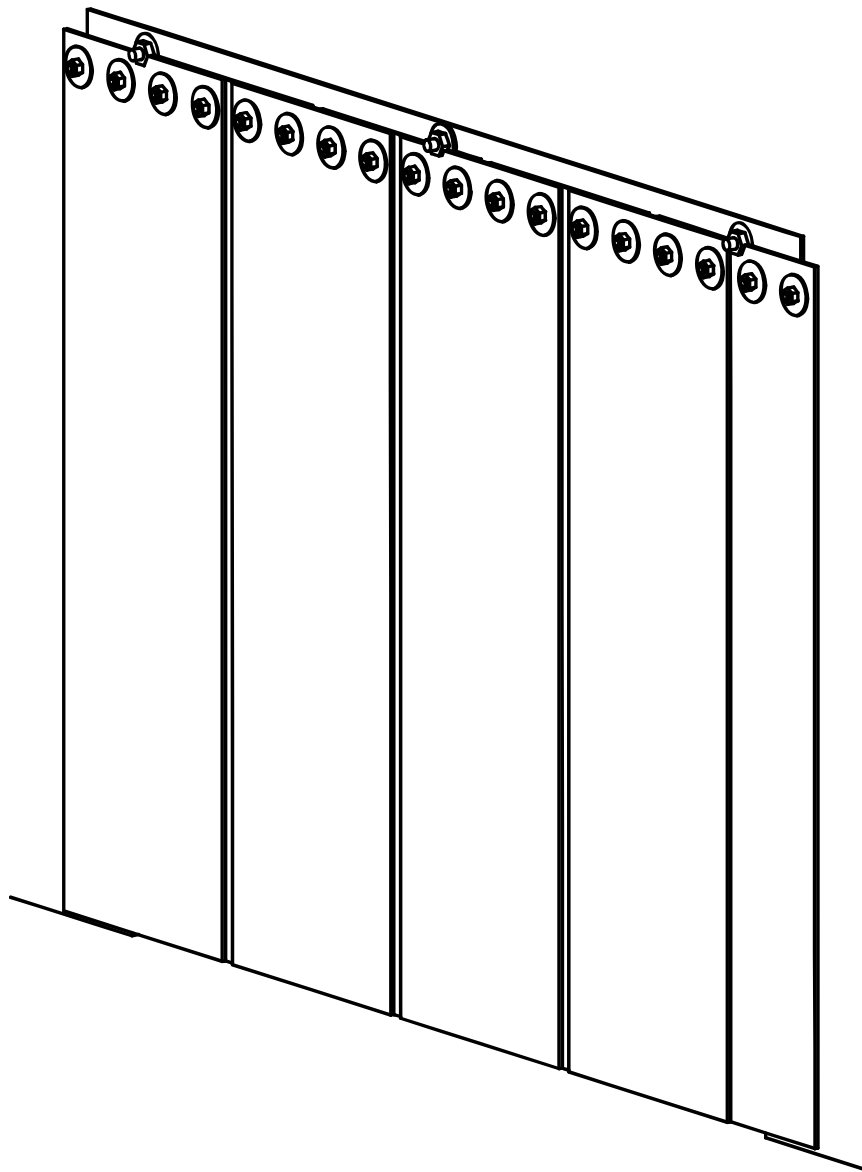


Series 9010-2 - Surface Mount Strip Curtain

INSTALLATION INSTRUCTIONS

READ ALL INSTRUCTIONS BEFORE INSTALLING CURTAIN. SUPER SEAL MFG. LTD. WILL NOT BE HELD RESPONSIBLE FOR IMPROPER INSTALLATION OF ANCHORING DEVICES, OR FOR INSTALLATION INTO AGED OR UNSOUND CONCRETE, CONCRETE BLOCK, OR OTHER WALL OR FLOOR MATERIAL WHICH MAY RESULT IN PREMATURE PRODUCT WEAR, PRODUCT FAILURE, PROPERTY DAMAGE, OR PERSONAL INJURY.



Note: Before Installation see hardware list at back of this manual (page 4).

1. Find and mark center of door opening (Fig. 1).

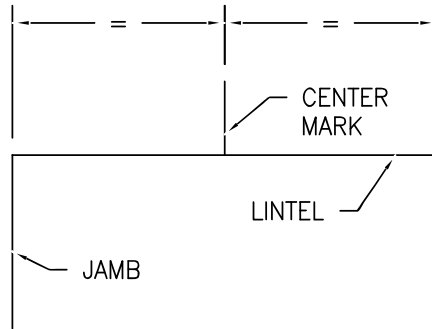


FIG. 1

2. Prepare PVC flat bar

- a. Insert track bolts into PVC flat bar holes (Fig. 2).

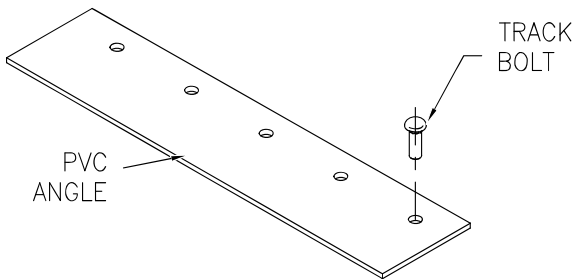


FIG. 2

- b. Tape back side to hold track bolts in place (Fig. 3)

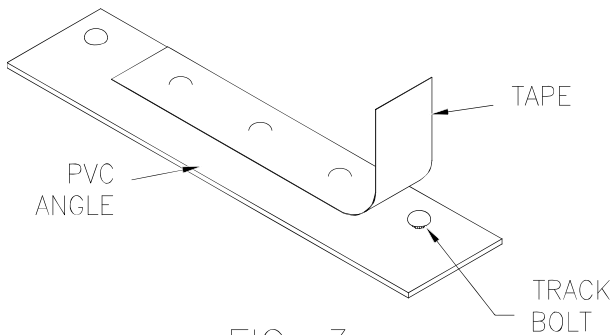


FIG. 3

3. Mark centre of flat bar on the front surface (Fig. 4)

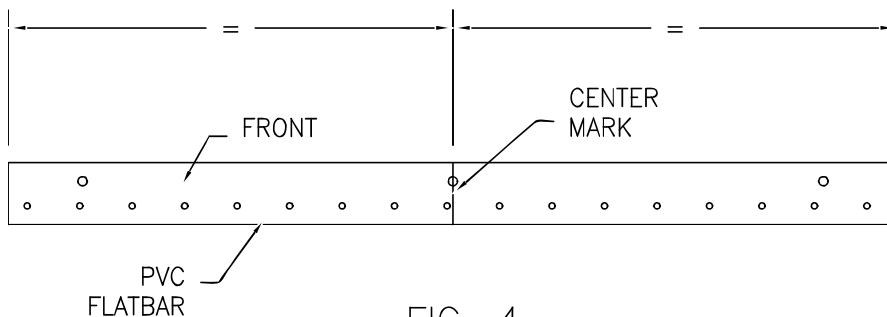


FIG. 4

4. Attach PVC angle to Wall

- Put PVC flat bar against wall above door opening (Fig. 5).
- Ensure that bottom edge is flush with lintel and that centre mark of PVC angle lines up with centre mark on wall (Fig. 5).

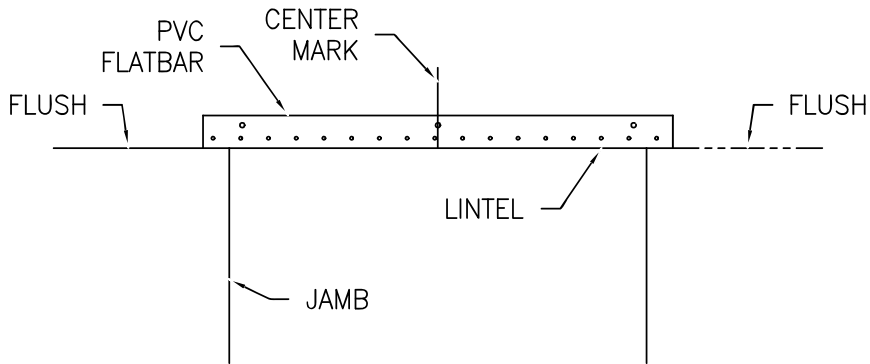


FIG. 5

- Drill through mounting holes in PVC angle - use $\text{Ø } 3/8''$ concrete drill bit (Fig. 6).
- Insert $3/8''$ sleeve anchors and tighten with $1/2''$ socket driver bit (Fig. 6).

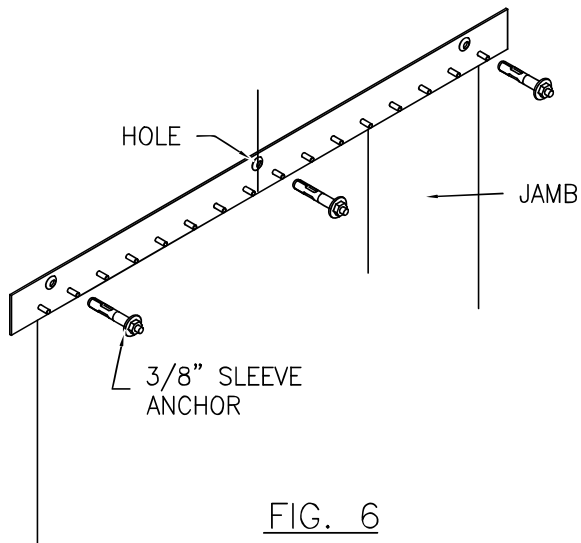


FIG. 6

5. Attach PVC Strips

- Attach PVC strips to PVC angle track bolts (Fig. 7).
- Secure into position using $1/4''$ fender washers and $1/4''$ hex nuts (Fig. 7). Use $7/16''$ socket driver bit.

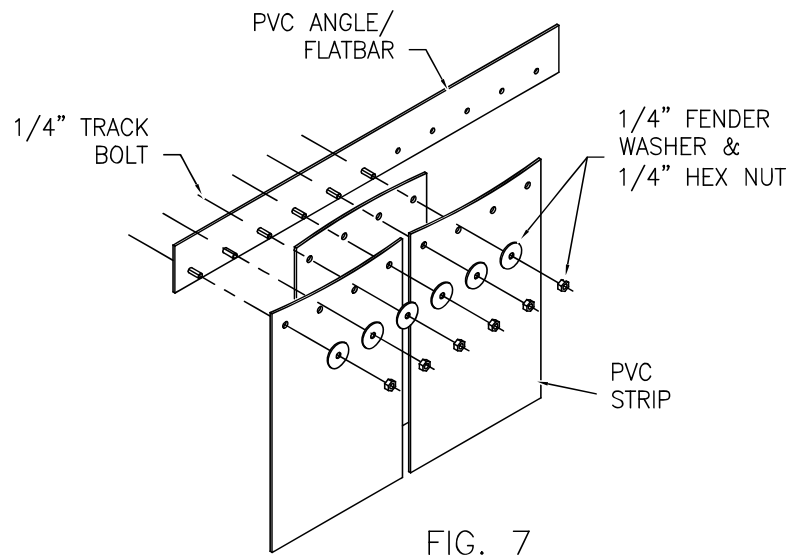
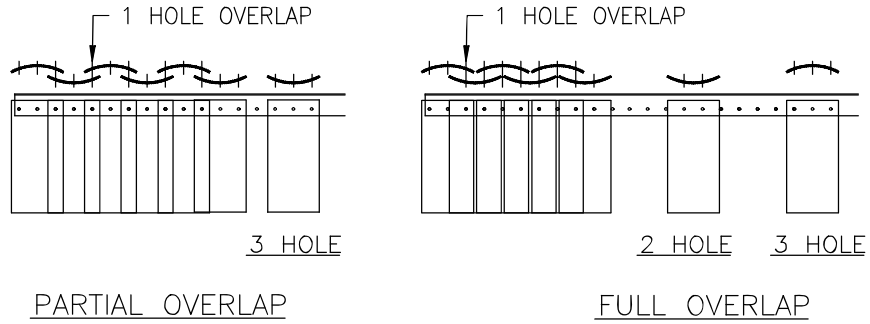
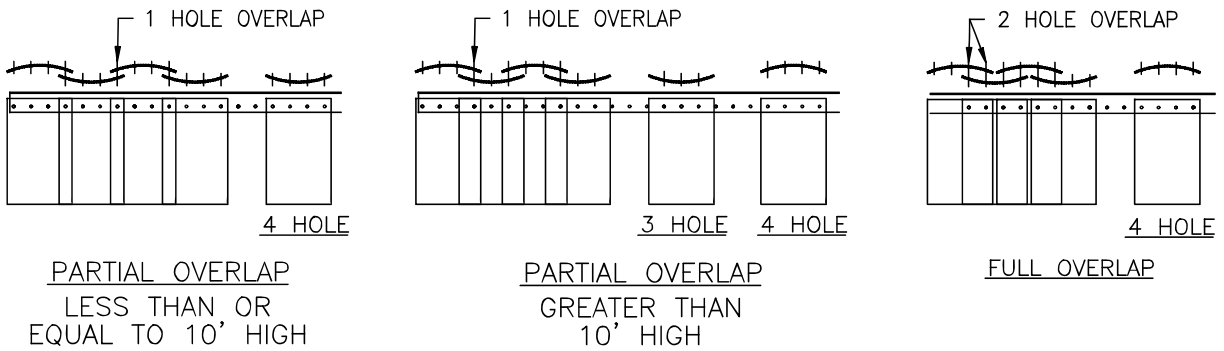


FIG. 7

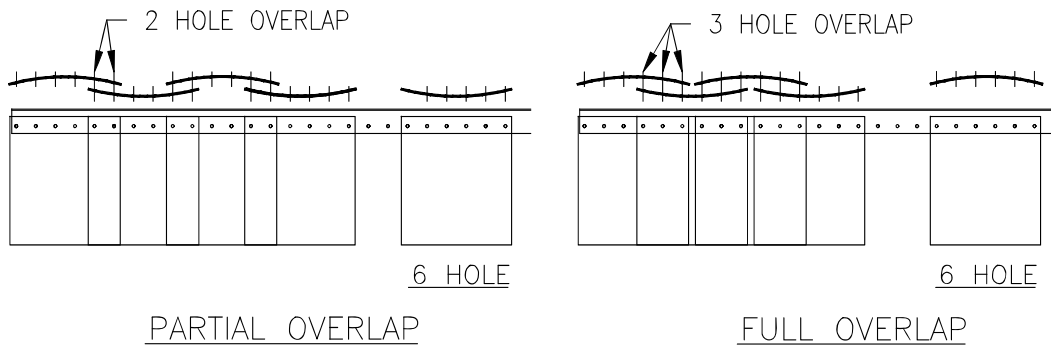
Note: Refer to Figs. A-D for proper PVC strip layout.



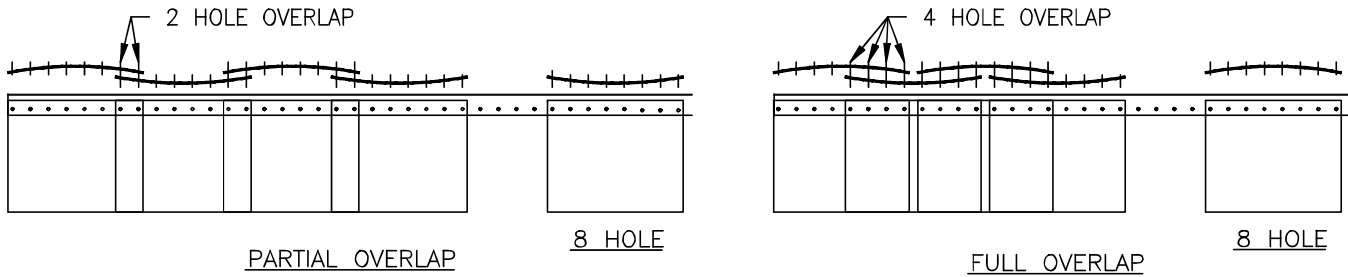
6" STRIPS
FIG. A



8" STRIPS
FIG. B



12" STRIPS
FIG. C



16" STRIPS

FIG. D

The Following Lists Cover Basic Installation, Not Including Options.

Components List (Per Assembly)

No.	Description	Qty.
1	PVC Flat bar or PVC Angle	*
2	PVC Strips	*

*Quantities dependent on customer specifications

Hardware List (Per Assembly)

No.	Description	Qty.
1	1/4" (20) HEX NUT-ZINC	*
2	1/4" B.S. FENDER WASHER-ZINC	*
3	1/4" (20) X3/4" TRACK BOLT-ZINC	*
4	3/8" X1 7/8" SLEEVE ANCHOR-ZINC	*

*Quantities dependent on customer specifications

Recommended Tools

No.	Description	Qty.
1	Tape Measure	1
2	Plumb line or Level	1
3	Pencil or Marker	1
4	Square	1
5	Power Drill	1
6	Hammer Drill	1
7	3/8" Masonry Drill Bit	1
8	1/2" Socket Driver Bit	1
9	7/16" Socket Driver Bit	1